

UTP7624GE-POE-L3



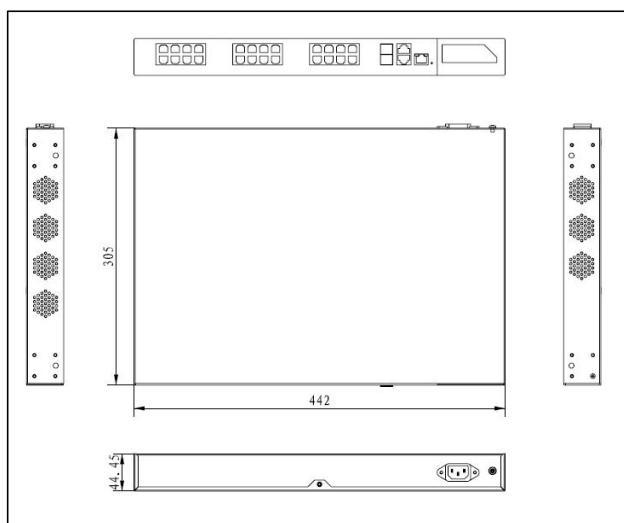
- provide 24* PoE Gigabit downlink RJ45 ports , 4*10G uplink SFP ports ;
- Provide web-based layer 3 network management and PoE management by simple operation;
- Support high-speed data forwarding, very suitable for large flow of video data forwarding in security surveillance ;
- Support fast ring ,Self-healing in 20ms Min.
- Support recovery of IP address & user password by one key recovery button ;
- Quick Installation, simple operation, convenient for wall/desk/rack installation.



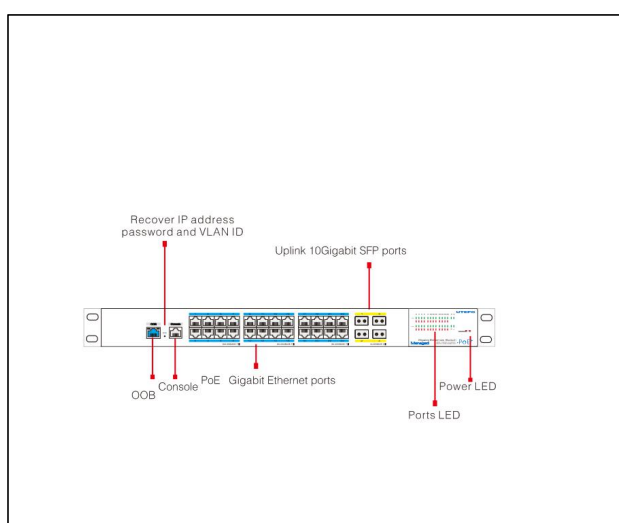
Introduction

The 24 PoE Gigabit ports managed Ethernet switch, which provide 24* PoE Gigabit downlink Ethernet ports , 4*10G uplink SFP ports . The Products support IEEE 802.3 af/at ,support Web layer-3 network management and PoE management. Products are widely used in security surveillance, network engineering projects and so on.

Physical Features



Interface drawing



Specification

Hardware Features :

Model	UTP7624GE-POE-L3
Downstream Ports	24* 10/100/1000Base-T PoE
Uplink Ports	4*10G Base-X SFP optical ports (support 1000Base-X by web setting)
Network Standard	IEEE802.3、IEEE802.3u、IEEE802.3ab、IEEE802.3Z、IEEE802.3X、IEEE 802.1Q IEEE 802.1p IEEE 802.3ad、IEEE 802.1D、IEEE 802.1X
Switch Capacity	128Gbps
Throughput	96Mpps
Switch Processing Scheme	Store and Forward
Memory Buffer	12M
MAC Table	16k
PoE Standard	802.3af/at(PSE)
PsE Type	End-span
Power Pin Assignment	1/2(+), 3/6(-)
PoE Power Output	54V DC , 30 watts max
PoE Budget	390 watts max
Lightning protection	6kV Execute : IEC61000-4-5
ESD	6kV Contact discharge 8kV Air discharge Execute : IEC61000-4-2
Power Supply	100~240VAC 50/60Hz
Power Dissipation	<420W(Including PoE)
Work temperature	-10~50°C
Storage temperature	-40~75°C
Humidity(Non-condensation)	5%~95%
Dimension (W*D*H)	442mm*320mm*44.5mm
Weight	4.35kg
Regulator	CE、FCC、ROHS

Software Features :

Port Management	Support port enabling and disabling
	Support port speed settings
	Support port full-duplex mode
	Support IEEE802.3x flow control
	Support Jumbo Frame
	Support port name modification
VLAN	Support of 4K VLAN
	support 802.1Q VLAN protocol
	support QinQ
	support GVRP dynamic VLAN register
	Support VLAN based on port\protocol\MAC
Quality of Service	Support COS classification base on 802.1p
	support QoS base on DSCP
	Support 8 priority queues
	Queue scheduling: SP, WRR, SP+WRR
	Support 802.1p CoS/DSCP priority
Multicast Management	Support SNMPV1 / V2 / V3 protocols
	support MLD-snooping
POE management	Support Total Power Control
	Support PoE On/Off
	Support single-port 30W output , Output port and priority
Security Features	Supports IP, MAC, port, VLAN binding combinations
	Support MAC address auto-learning, aging and filtration
	Support port isolation, port speed limit
	Support STP/RSTP , Fast-Ring
	Support 5 groups of link aggregation
	support LLDP
	Support 802.1X
ACL	support base on source-MAC、target-MAC、protocal-classify、source-IP、target-IP、L4 ports-number
	support time-range management

System Management	Web-based GUI and CLI management
	Support FTP / TFTP / HTTP load upgrade
	Support traffic statistics
	Support MAC address table query
	Support IP address, DNS server modifications
	Support user name and password modification
	Support for history, log management
	Support System Configuration Backup
	Support to recover the default factory settings on reboot
L3 Management	support IPV4 static route setup
	support RIP V1/V2 on IPV4
	support OSPF V1/V2
	Support static ARP Add,delete,burn-in time sutup/check
	Support static NDAAdd,delete,burn-in time sutup/check
	Support VRRP V1/2/3 virtual redundant route protocol
	Support group-broadcasting MLD(IPV6)
	Support DHCP client,server
	Support relay repeater,DHCP snooping
	Support duplex transfer check mechanism

Package List

Designation	Quantity
UTP7624GE-POE-L3	1
AC Power Line	1
Mounting brackets	1
User Manual	1

Related Products

Designation	Model
24 Ports PoE Full Gigabit Managed Ethernet Switch	UTP7524GE-PoE-A1